

brand	PARTNER
-------	---------

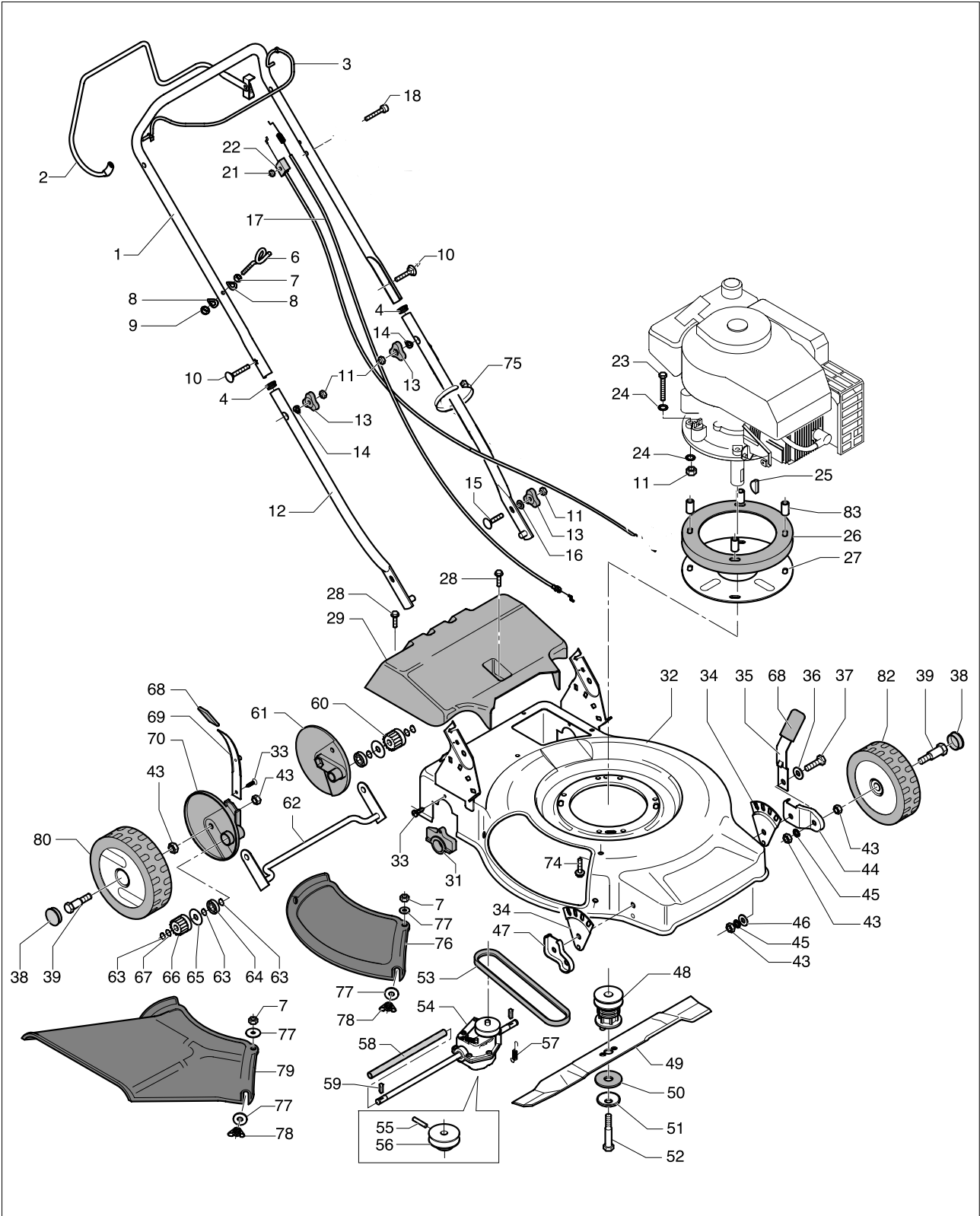
date	FEB/03	SHEET 1/3
------	--------	-----------

Model

P 3750 SD BIO

Product number

983878134



brand	PARTNER
-------	---------

date	FEB/03	SHEET 2/3
------	--------	-----------

Model

P 3750 SD BIO

Product number

953878134

Pos.	PN ELX	PN MEP	DESCRIPTION	Q.ty	NOTE
1	531205204	10121743	upper handle	1	
2	531205208	10121823	clutch handle	1	
3	531205168	10121463	brake handle	1	
4	531208950	20833303	plug	2	
6	531205169	10121470	cable hook	1	
7	531207165	10501200	nut	1	M6 H6 UNI 5587-6S-ZB
8	531204961	10115900	washer	2	6,5E
9	531208491	20281800	nut	2	M6 H8 UNI7473-ZB
10	531207089	10402401	screw	2	TTSQ M8x50 TF ZB
11	531207982	20106300	nut	7	M8 H8 UNI 5587-6S ZB
12	531206071	10150133	handle lower	2	
13	531204923	10114303	knop	4	
14	531207090	10402402	washer	2	8,5
15	531204921	10114100	screw	2	TTSQ M8x25 T.FIL.ZB
16	531204922	10114200	washer	2	8x16x1,5 ZB
17	531206191	10155290	cable	1	
18	531206212	10155420	screw	1	TE M5x60 UNI 5739-4.8 T.F
21	531205213	10121890	nut	1	M5 DIN 6923
22	531205192	10121620	cable	1	
23	531207107	10407800	screw	3	TE M8x65 UNI 5737-8,8-ZB
24	531207981	20106200	washer	6	D.8E DIN 6798
25	531204907	10100900	key	1	4x6,5 UNI6606 WODRUF
26	531207369	10600503	ring	1	
27	531207111	10425703	housing	1	
28	531207120	10427400	screw	3	TE FR TC 4,8x13
29	531206227	10158253	housing	1	
31	531205944	10146093	support	2	
32	531211131	10177601	deck	1	
33	531208216	20135720	screw	3	TCTC 2F D.5x16 AC
34	531205925	10146010	support	2	
35	531207985	20107201	lever	2	
36	531206020	10146530	washer	2	UNI 8840 B12 (13/24/1)
37	531204912	10107100	screw	2	
38	531210538	10114802	plug	4	
39	531205042	10120090	screw	4	
43	531207978	20101700	nut	10	M10 H8 UNI 5588-6S ZB
44	531204914	10107301	support	1	SX
45	531208974	30102100	washer	4	10E
46	531207989	20113000	washer	2	10x30x2,5
47	531204915	10107302	support	1	DX
48	531207848	10831300	support	1	
49	531206546	10177510	blade	1	D.502MM

brand	PARTNER
-------	---------

date	FEB/03	SHEET 3/3
------	--------	-----------

Model

P 3750 SD BIO

Product number

953878134

Pos.	PN ELX	PN MEP	DESCRIPTION	Q.ty	NOTE
50	531207243	10531700	washer	1	17,2x50x1,5+0,1
51	531207237	10530900	washer	1	11x50x2,5
52	531206649	10280901	screw	1	TE D.3/8" UNFX65(8.8)
53	531206303	10160220	belt	1	Z.29-L 730
54	531204761	09768700	gear-box	1	
55	531207703	10768400	resilient pin	1	
56	531208899	20768203	pulley	1	
57	531206235	10158320	spring	1	
58	531207697	10766503	spacer tube	1	
59	531205108	10121160	key	2	"S" 5x5(-0,05) x19,2 DIAG
60	531205046	10120170	pinion	1	SX
61	531205195	10121673	flange	1	
62	531206233	10158300	axle	1	
63	531208772	20655800	seeger	6	D.12E DIN 471
64	531208778	20657600	ball-bearing	2	D.12/28/8 6001/2RS
65	531207847	10831200	washer	2	D.12/34/0,7 ZB
66	531205045	10120160	pinion	1	DX
67	531208859	20761300	washer	2	D.12,4x17x0,3
68	531207986	20107203	sheating	3	
69	531205228	10121970	lever	1	
70	531205194	10121663	flange	1	
74	531208053	20122600	screw	3	M6x20 TE FL
75	531205581	10135600	clamp	1	160X4,5
76	531206237	10158353	cover	1	
77	531205377	10126000	washer	3	6x18x1,5
78	531206263	10158520	nut	2	D.M6
79	531206238	10158363	deflector	1	
80	531205023	10120061	wheel	2	D.190/13 TACCH.
82	531210536	09120081	wheel-ball boaring	2	D.170/13 TACCH.
83	531208732	20603300	bush	3	D13/10/32